

89-400 RB

Ribbed Side Wall
Matte Top
Continuous Thread
89mm Diameter
400 Thread Profile
Lined or Unlined



OPTIONS

- Available in standard or custom colors
- Low minimum order quantities, safety stock program available
- High speed lining capabilities with a variety of lining materials including heat induction, foam and pressure sensitive
- Round or tri-tab easy-open liners
- Industry's best lead times

SHIPPING INFORMATION

- Carton quantity: 656
- Carton packing: Stacked
- Pallet quantity: 16,400
- Truckload quantity: 492,000
- Carton weight (lbs): 24
- Pallet weight (lbs): 620
- Carton size: 23x15x15"
- Pallet size: 40x48x81"
- Freight class: 150

STANDARD OR CUSTOM COLORS



PMS 185



PMS 3435



PMS 662C



PMS 2685



PMS 1665



PMS 10388



BLACK

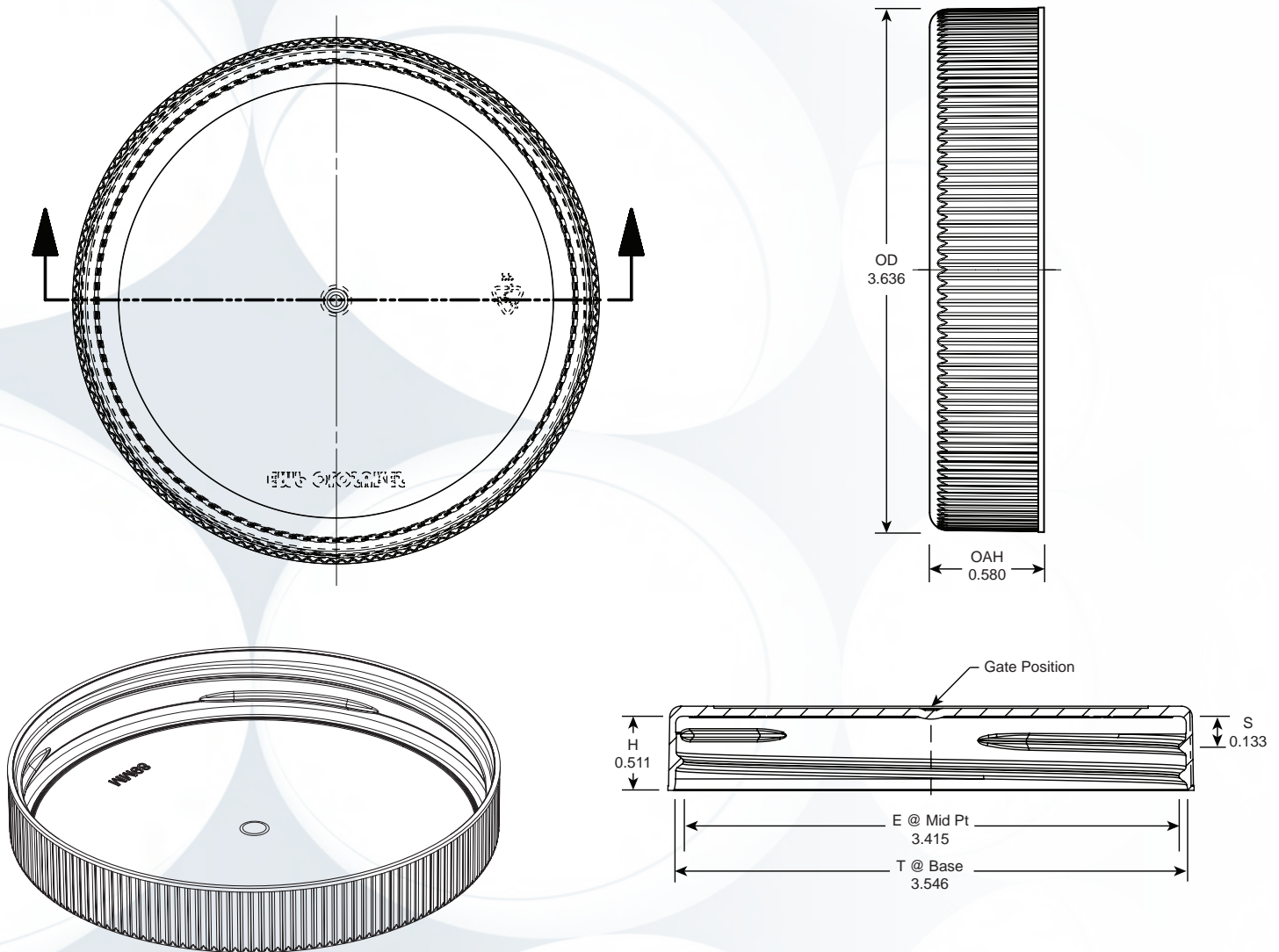


WHITE




PMS 110C

89-400 RB



- Country of Origin is the USA and Manufacturing location is Erie, PA
- To maintain the quality of this product, it is recommended that product should be stored in its original packaging; away from any source of local heating and humidity; away from direct sunlight; under 30°C and dry conditions. It is recommended to allow product to reach operating temperature 24 hours before use.
- Products must be used within 12 months from the production date. Stocks should be in rotation so that first delivery is used first and last delivery is used last.

Inch tolerances (unless specified) General: +/- .010 " /"	 6020 West Ridge Road Erie, Pennsylvania 16506 (814) 838-7914 Fax (814) 838-7411	
Number of turns: 1.25	89-400 RB	
Pitch (TPI): 5	Erie Molded Packaging, Inc.	
Material: PP	Date: November 21, 2016	Sheet: 01 of 01
This drawing is the exclusive property of Erie Molded Packaging, Inc. and may not be reproduced without the expressed written consent of Erie Molded Packaging, Inc.		